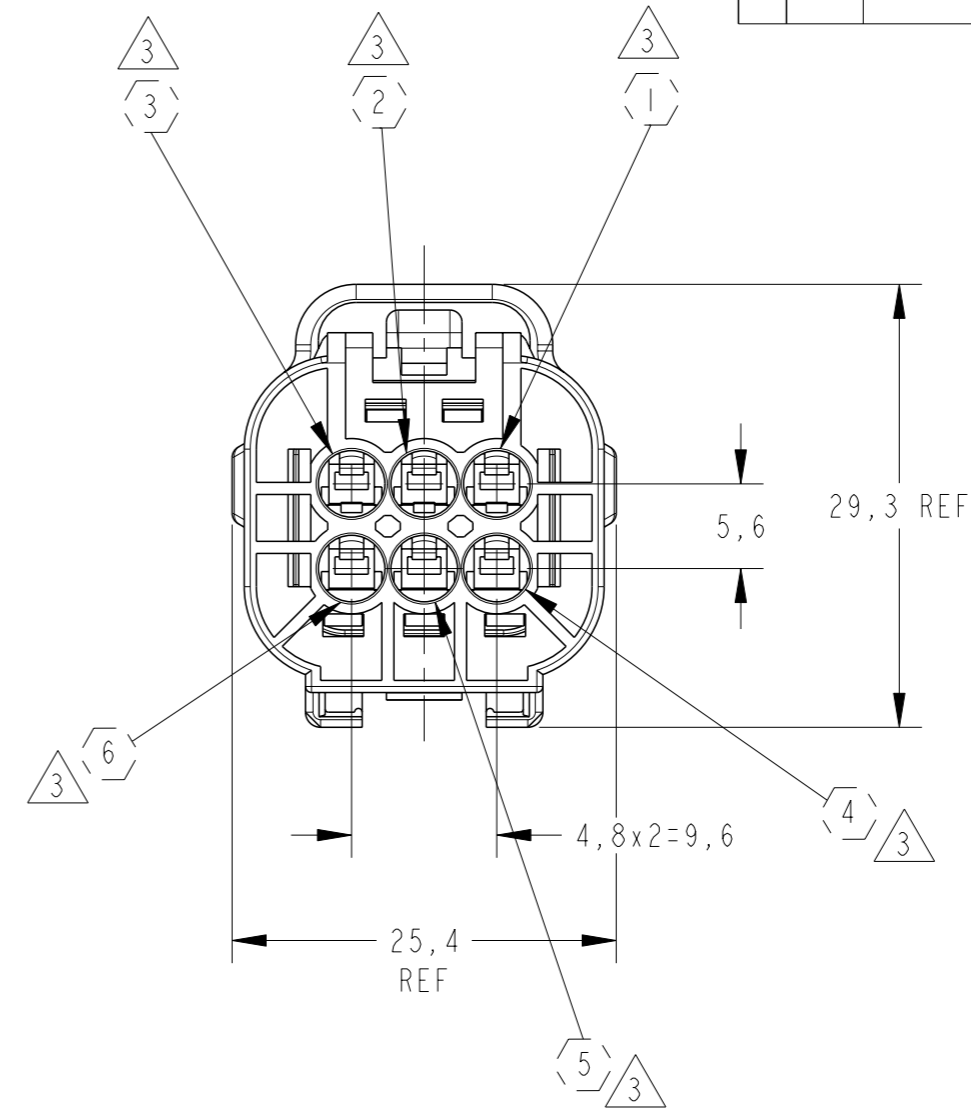
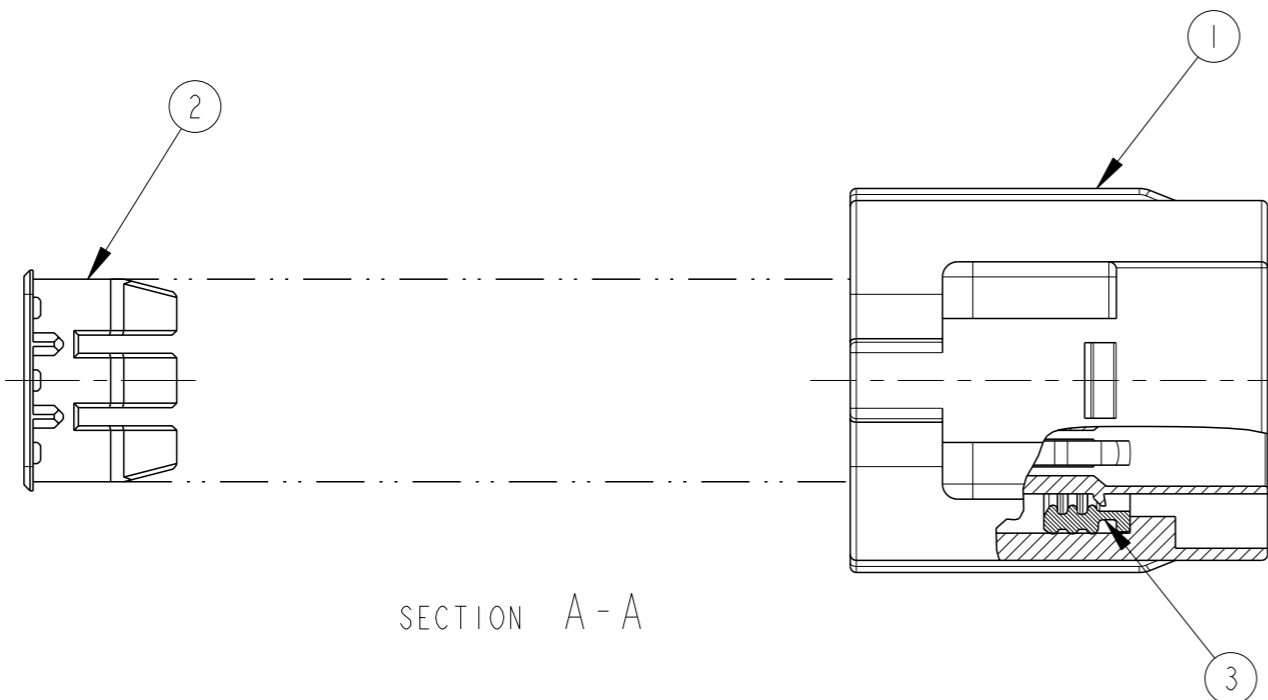
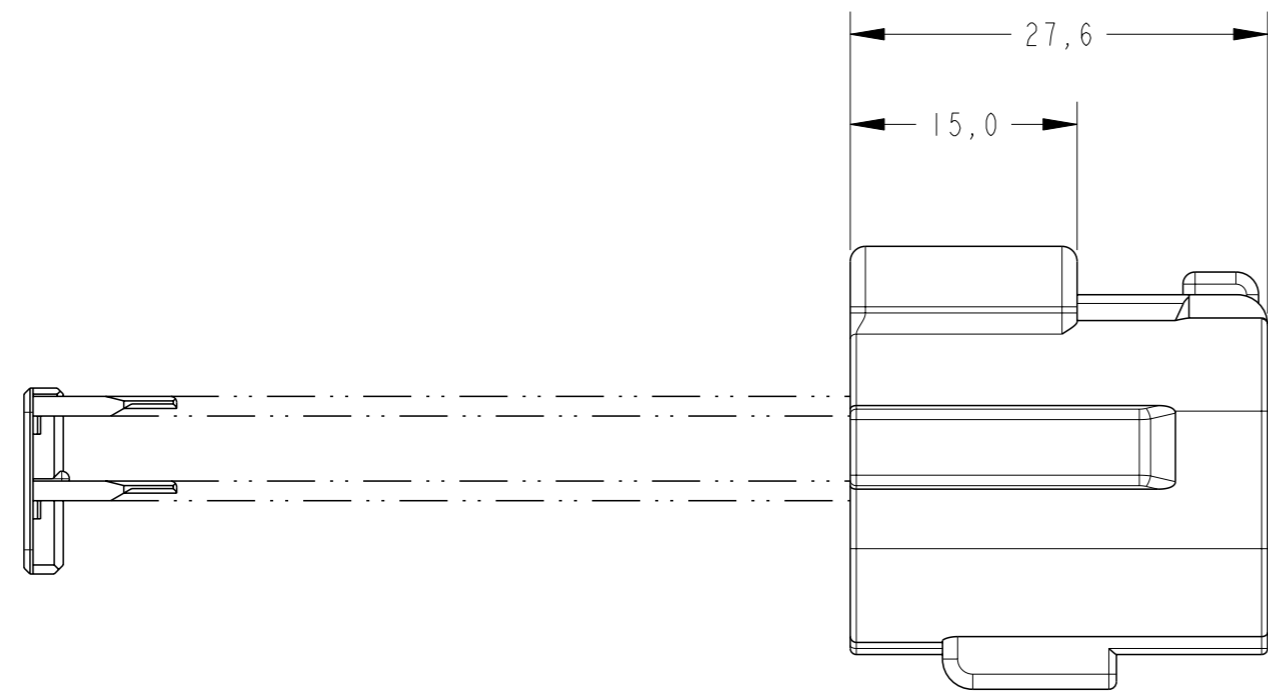


THIS DRAWING IS UNPUBLISHED. RELEASED FOR PUBLICATION 20
 © COPYRIGHT 20 ALL RIGHTS RESERVED.

LOC		DIST		REVISIONS			
P	LTR	DESCRIPTION	DATE	DWN	APVD		
AP	-	C2	REVISÉ DESIGN ECO-12-009584	24MAY2012	NCL	GOJ	



- 1 - OS ITENS 1 e 2 DEVEM SER FORNECIDOS DESMONTADOS.
- ITEMS 1 AND 2 MUST BE SUPPLIED NOT ASSEMBLED.
- 2 - OS ITENS 1 e 3 DEVEM SER FORNECIDOS MONTADOS.
- ITEMS 1 AND 3 MUST BE SUPPLIED ASSEMBLED.

3 - INDICAÇÃO DOS CIRCUITOS (3) SOMENTE ORIENTATIVO: NÃO CONSTAM COMO GRAVAÇÃO NA PEÇA FÍSICA.
 - CIRCUIT INDICATION (3) IS ONLY ORIENTATIVE: DON'T HAVE MARKING IN THE PHYSICAL PART.

- 4 - CONTRA PEÇA: VER DESENHO PN.881778
- COUNTER PART: SEE DRAWING PN.881778

TERMINAIS RECOMENDADOS
RECOMMENDED TERMINALS

PART NUMBER	DESCRIÇÃO DESCRIPTION	WIRE RANGE	INSULATION RANGE	MATERIAL	ACABAMENTO FINISH
880694-1	TERMINAL 1.8 ECONOSEAL "J" SERIES MARK II + REC	0,5 TO 1,5mm ²	∅ 1,4 TO 2,0mm	LATÃO / BRASS	PRÉ-ESTANHADO/ PRE TIN
880694-2	TERMINAL 1.8 ECONOSEAL "J" SERIES MARK II + REC	0,5 TO 1,5mm ²	∅ 1,4 TO 2,0mm	BRONZE	PRÉ-ESTANHADO/ PRE TIN
880697-1	TERMINAL 1.8 ECONOSEAL "J" SERIES MARK II + REC	0,5 TO 1,5mm ²	∅ 1,4 TO 2,4mm	LATÃO / BRASS	PRÉ-ESTANHADO/ PRE TIN
880697-2	TERMINAL 1.8 ECONOSEAL "J" SERIES MARK II + REC	0,5 TO 1,5mm ²	∅ 1,4 TO 2,4mm	BRONZE	PRÉ-ESTANHADO/ PRE TIN
880697-3	TERMINAL 1.8 ECONOSEAL "J" SERIES MARK II + REC	0,5 TO 1,5mm ²	∅ 1,4 TO 2,4mm	LATÃO / BRASS	PRÉ-PRATEADO / PRE SILVER
880698-1	TERMINAL 1.8 ECONOSEAL "J" SERIES MARK II + REC	1,0 TO 1,5mm ²	∅ 1,4 TO 2,4mm	LATÃO / BRASS	PRÉ-ESTANHADO/ PRE TIN
880698-2	TERMINAL 1.8 ECONOSEAL "J" SERIES MARK II + REC	1,0 TO 1,5mm ²	∅ 1,4 TO 2,4mm	BRONZE	PRÉ-ESTANHADO/ PRE TIN

SELOS RECOMENDADOS
RECOMMENDED

PART NUMBER	DESCRIÇÃO DESCRIPTION	WIRE RANGE	INSULATION RANGE	MATERIAL	ACABAMENTO FINISH
172748-1	SINGLE WIRE SEAL	CAVITY PLUG	CAVITY PLUG	SILICONE / SILICON	PRETO / BLACK
172748-2	SINGLE WIRE SEAL	CAVITY PLUG	CAVITY PLUG	SILICONE / SILICON	CINZA / GRAY
444430-1	SINGLE WIRE SEAL	0,5 TO 1,5mm ²	∅ 1,4 TO 2,4mm	SILICONE / SILICON	MARROM / BROWN

REQ. PER ASSY	ITEM	DESCRIPTION	MATERIAL	FINISH
	3	SEAL RING	SILICONE/SILICON	PRETO/BLACK
	2	DOUBLE LOCK, 6POSN, ECONOSEAL "J" MARK II	PBT	AMARELO/YELLOW
	1	PLUG HSG. 6POSN, ECONOSEAL "J" MARK II	PBT	PRETO/BLACK
881779				

THIS DRAWING IS A CONTROLLED DOCUMENT.		DWN	21 JAN 2008	 TE Connectivity
DIMENSIONS: mm		CHK	R.K.S.T.I.E.M.E. 01 MAR 2011	
TOLERANCES UNLESS OTHERWISE SPECIFIED:		APVD	MGLSOLDI 01 MAR 2011	
0 PLC ±		PRODUCT SPEC	DAOLIVEIRA	
1 PLC ±0.3		APPLICATION SPEC		NAME
2 PLC ±		WEIGHT		KIT ECONOSEAL "J" 6 POSN.
3 PLC ±		SCALE		SIZE
4 PLC ±		CAGE CODE		A2
ANGLES ±1°		DRAWING NO		00779
FINISH		RESTRICTED TO		C-881779
SEE TABLE		SCALE		1:1
SEE TABLE		SHEET		1 OF 1
MATERIAL		REV		C2
SEE TABLE		CUSTOMER DRAWING		

